

SLIMBOX UNDERGROUND TERMINAL ASSEMBLY
INSTRUCTIONS



Slimbox Underground Terminal

SLIMBOX UNDERGROUND TERMINAL ASSEMBLY
INSTRUCTIONS



1. GENERAL INFORMATION	3
2. CARE AND SAFETY	3
3. CABLE PREPARATION	4
4. CLOSURE OPENING.....	5
5. ENTRANCE.....	5
6. DISTRIBUTION CABLES	7
7. DROP CABLES	8
8. ROUTING OF FIBER IN SPLICE TRAYS.....	9
9. SEALING OF UNUSED OVAL OUTPUT PORTS	10
10. SEALING OF UNUSED ROUND OUTPUT PORTS	11
11. CLOSING OF THE FIBER OPTIC SPLICE CLOSURE.....	12
12. PRESSURIZATION TEST	12
13. CLOSURE MOUNTING	13
14. COMPONENTS.....	14
15. PRODUCTS TO BE PURCHASED SEPARATELY	14
16. DISPOSAL OF PACKAGING AND PRODUCT	15
17. TECHNICAL ASSISTANCE	15

SLIMBOX UNDERGROUND TERMINAL ASSEMBLY
INSTRUCTIONS



1. General Information

1.1. Product Description

Slimbox Underground Terminal is an external use product for installation in underground or overhead networks (pole/wall).

1.2. Features

- Mechanical Sealing for ports
- Supports up to 3 trays of 16 optical splices each, totaling 48 fibers as maximum capacity and one tray for 16 connections of distribution cables.
- **You must observe precautions when handling cables and optical cords. It applies in particular when handling bare optical fiber**

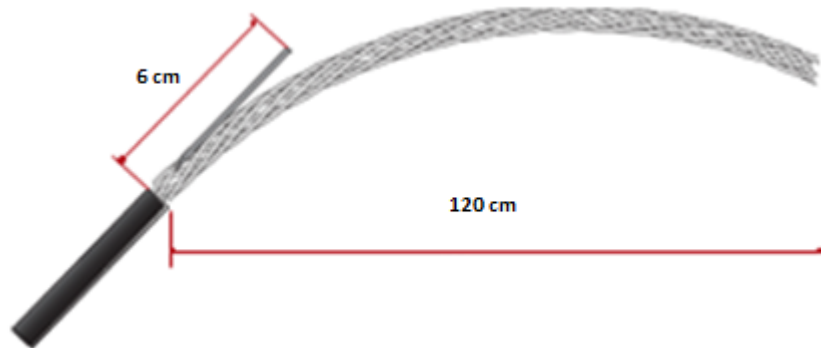
2. Care and Safety

- During routing cables inside the enclosure, do not exceed fiber-bending radius. Pay attention to any possible cables interface with enclosure components while opening and closing it.
- Optical connectors must be clean before every reconnection.
- Stay alert for laser radiation warnings, do not manipulate connectors when lasers are on and especially do not look into connector light emitting end.

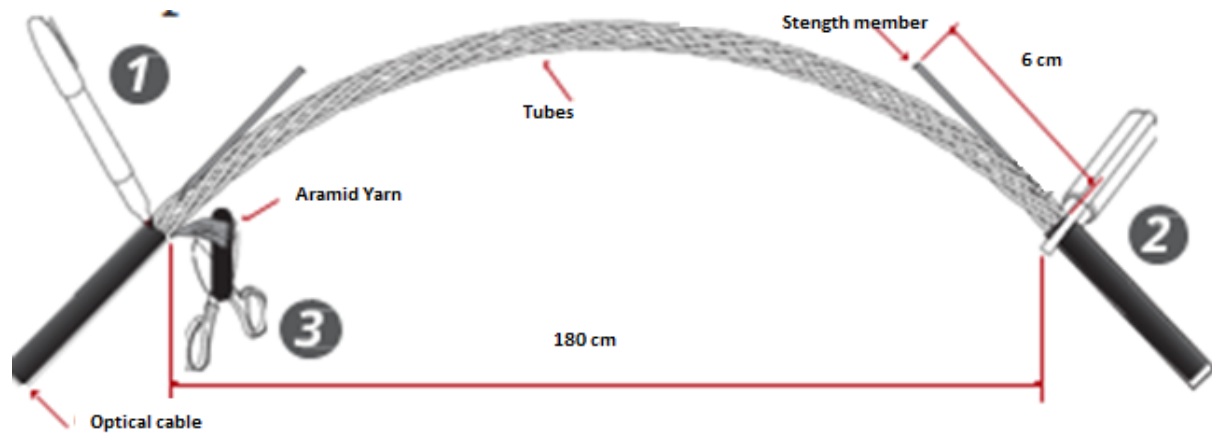
SLIMBOX UNDERGROUND TERMINAL ASSEMBLY
INSTRUCTIONS

3. Cable Preparation

3.1. End Span

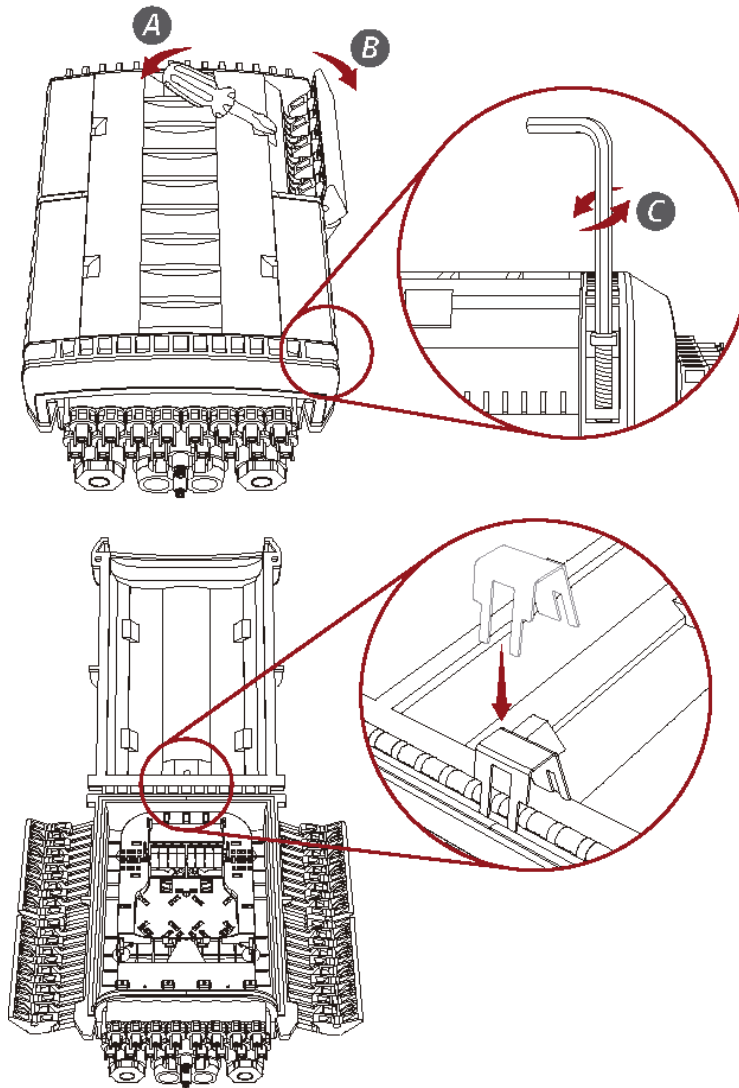


3.2. Mid Span

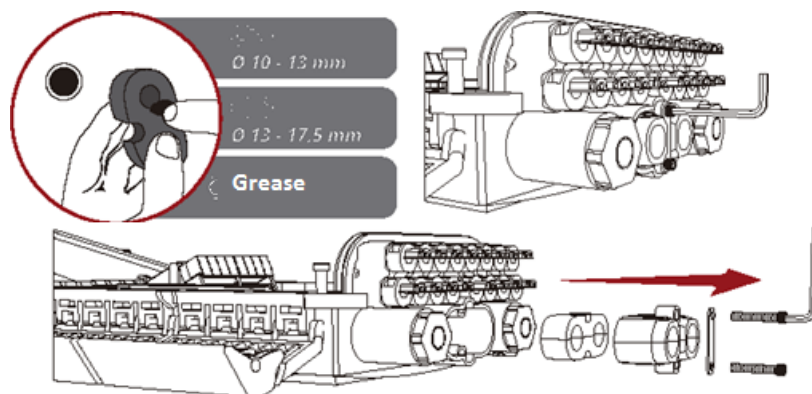


SLIMBOX UNDERGROUND TERMINAL ASSEMBLY INSTRUCTIONS

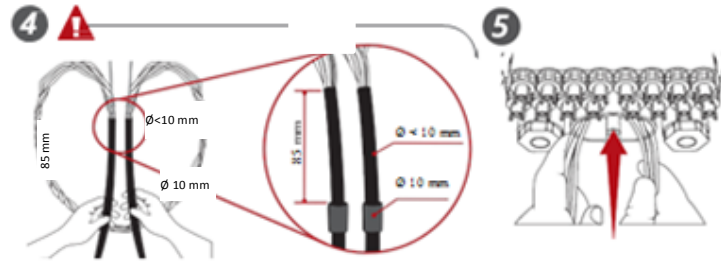
4. Closure Opening



5. Entrance

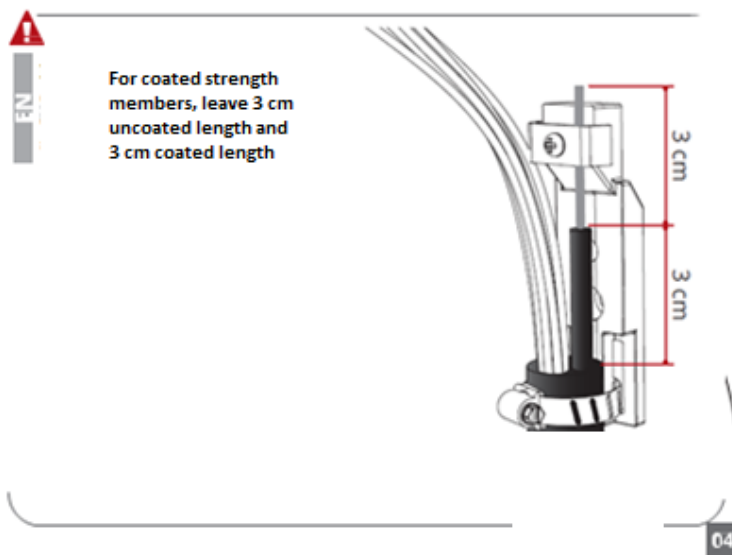
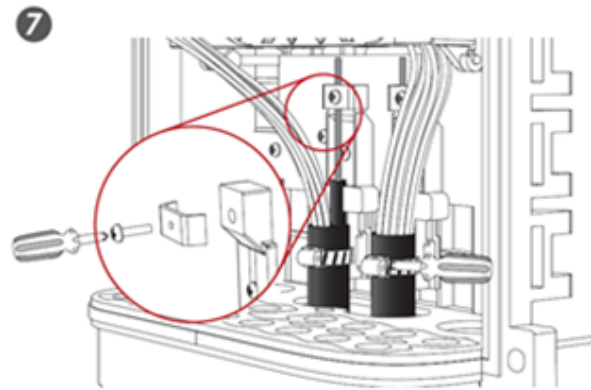
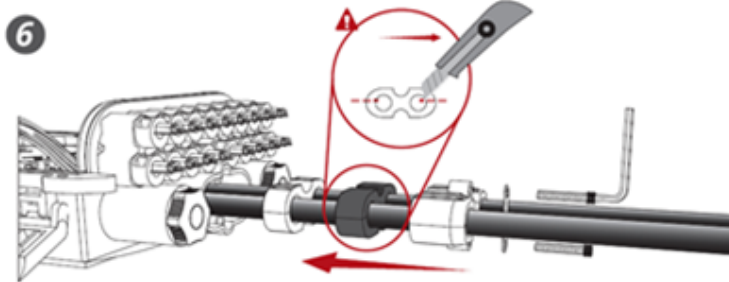


SLIMBOX UNDERGROUND TERMINAL ASSEMBLY INSTRUCTIONS



For diameters less than 10mm, use an adhesive tape

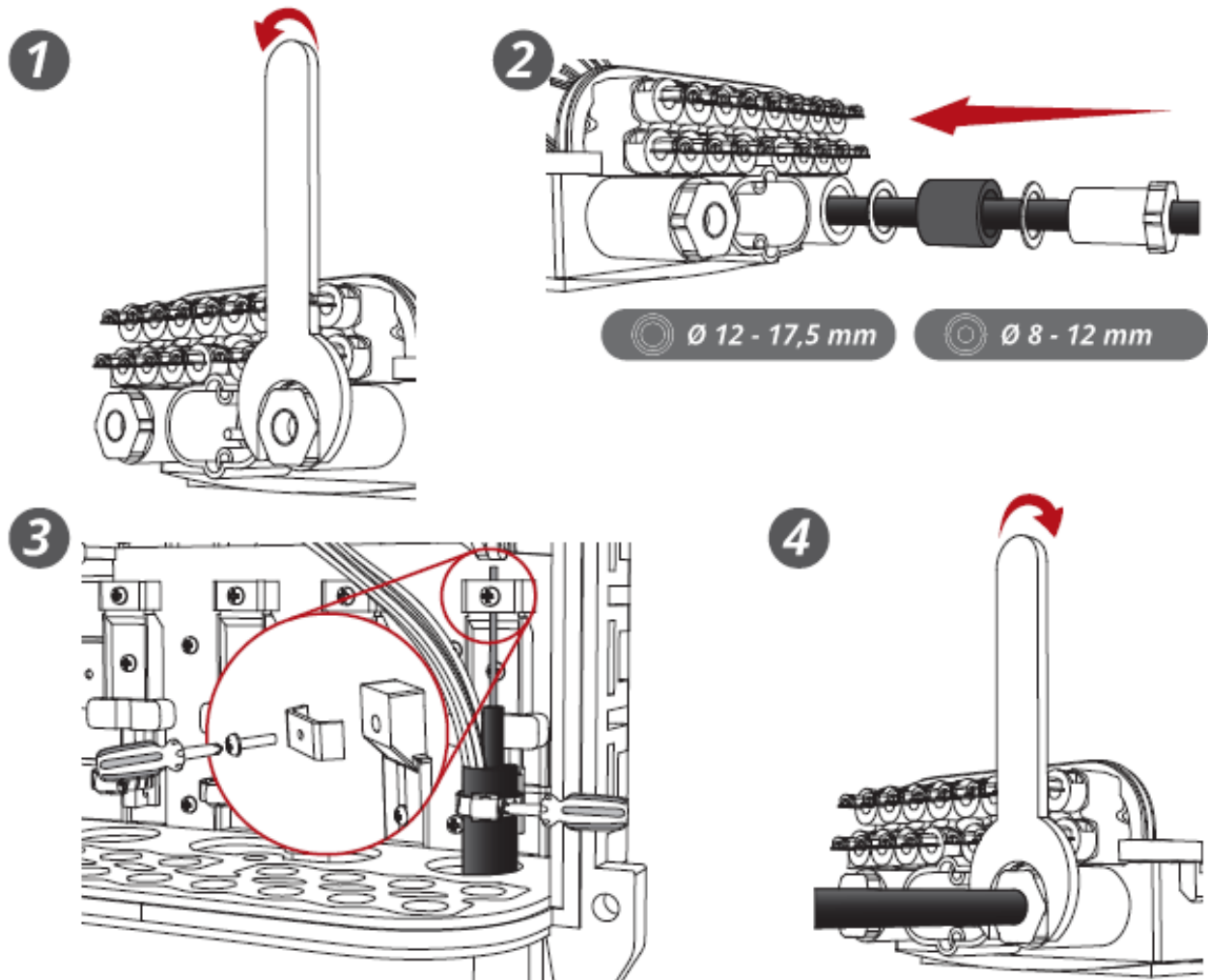
For diameters less than 10mm, use adhesive tape



SLIMBOX UNDERGROUND TERMINAL ASSEMBLY
INSTRUCTIONS

6. Distribution Cables

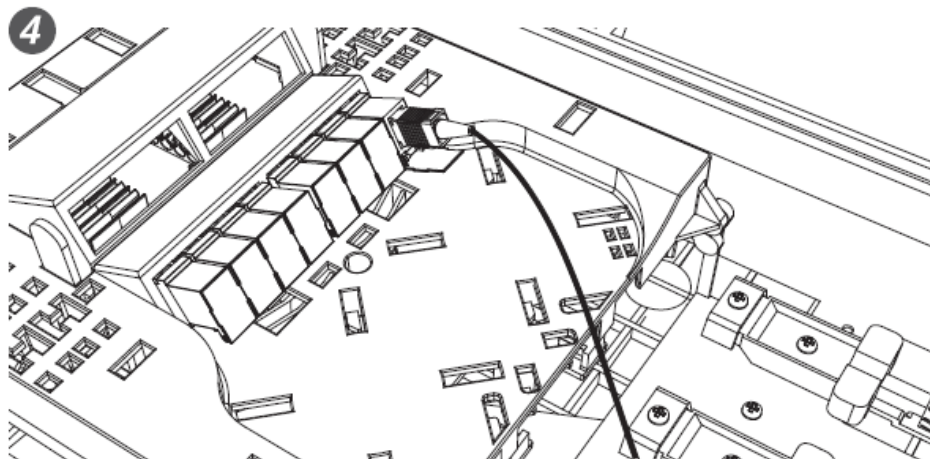
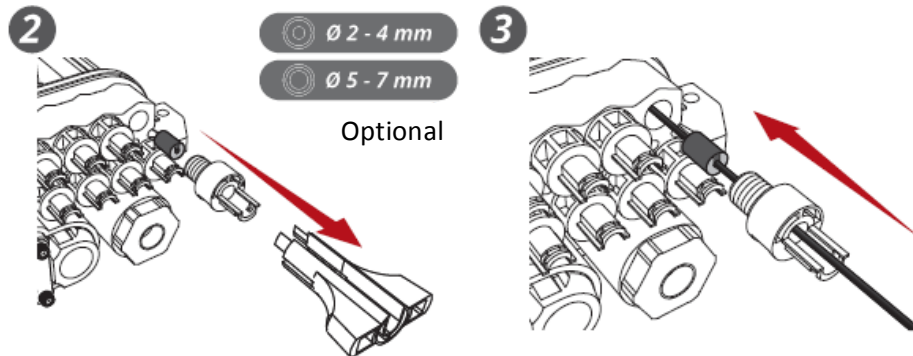
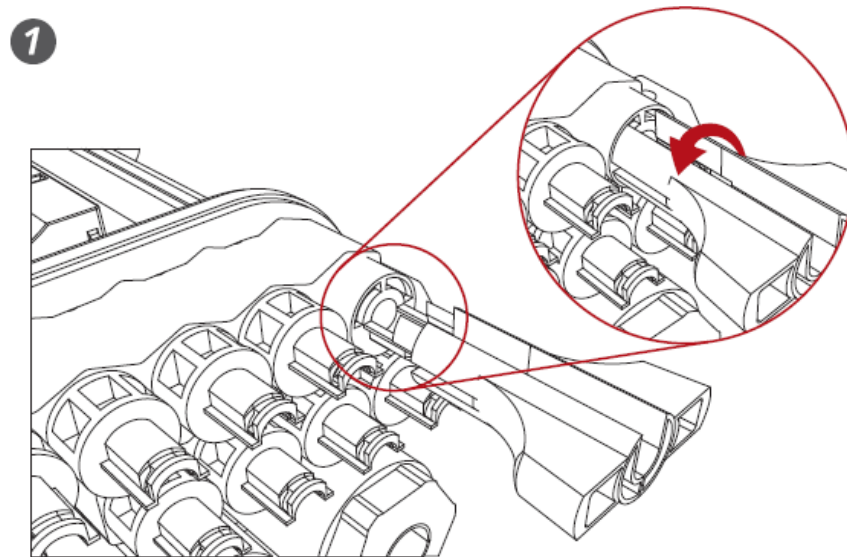
Use the Distribution Cable Kit (purchased separately)



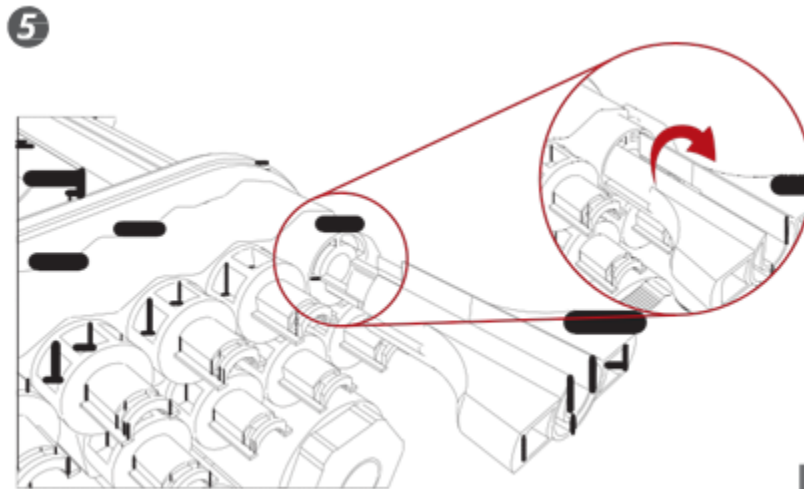
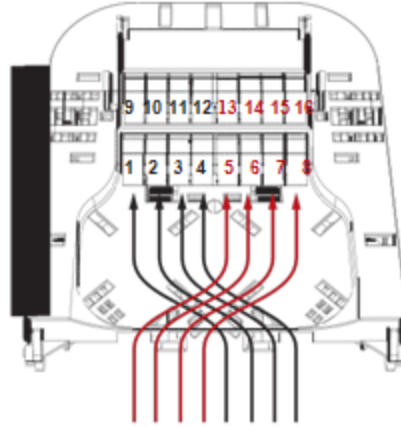
SLIMBOX UNDERGROUND TERMINAL ASSEMBLY
INSTRUCTIONS

7. Drop Cables

Use the Connectors Tray (purchased separately)



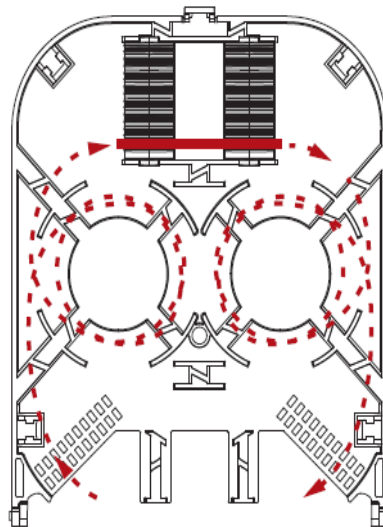
SLIMBOX UNDERGROUND TERMINAL ASSEMBLY
INSTRUCTIONS



06

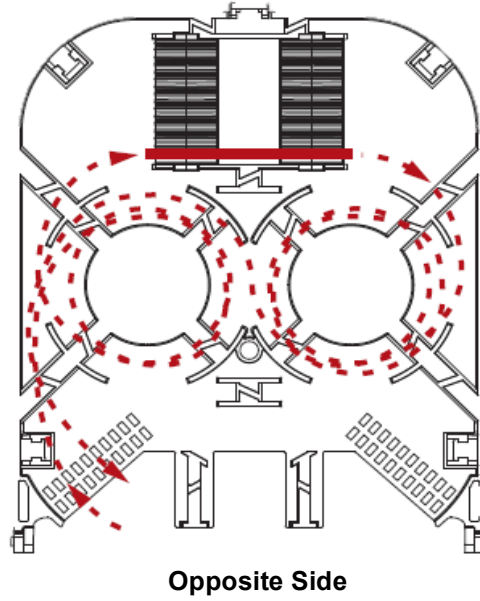
8. Routing of Fiber in Splice Trays

Always use supplied splice protection sleeves to prevent incompatibilities. The standard size of splice protector is 2.5 mm

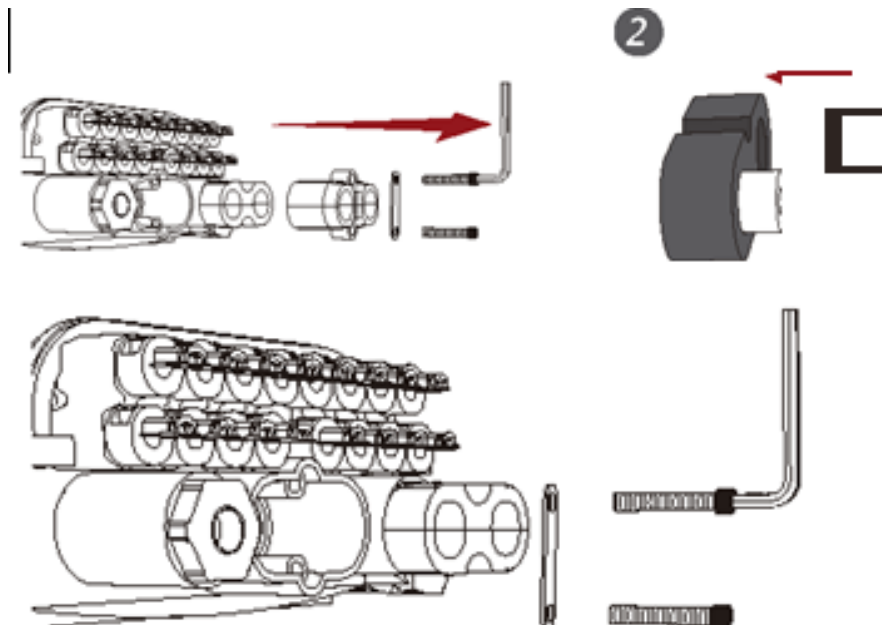


Front Side

SLIMBOX UNDERGROUND TERMINAL ASSEMBLY
INSTRUCTIONS

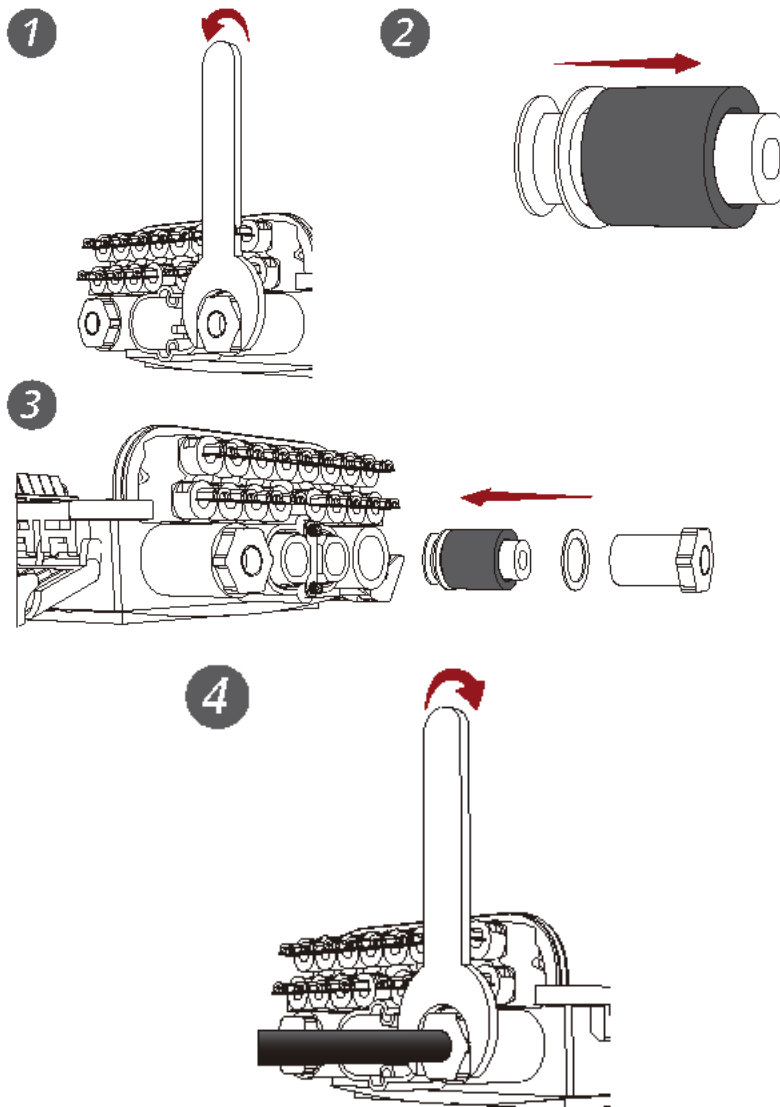


9. Sealing of unused oval output ports



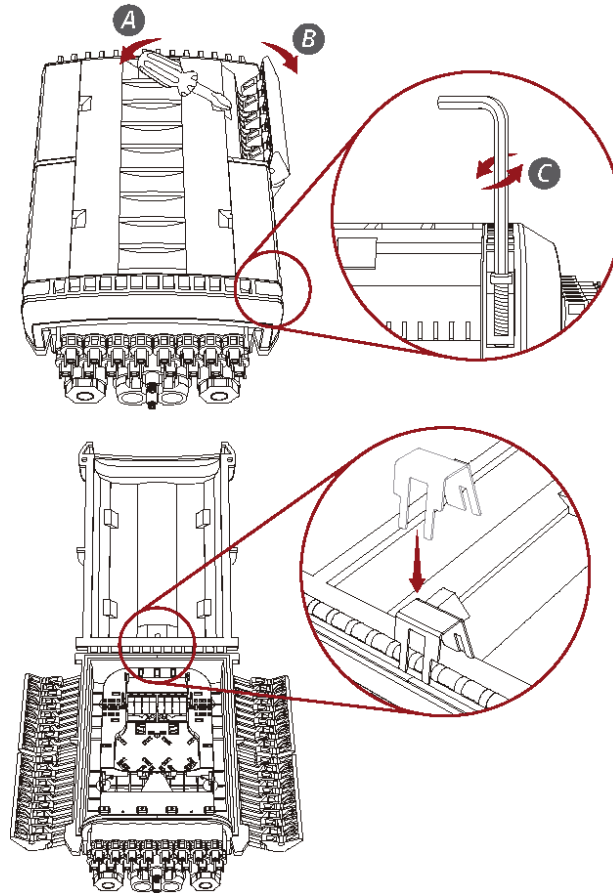
SLIMBOX UNDERGROUND TERMINAL ASSEMBLY
INSTRUCTIONS

10. Sealing of unused round output ports



SLIMBOX UNDERGROUND TERMINAL ASSEMBLY
INSTRUCTIONS

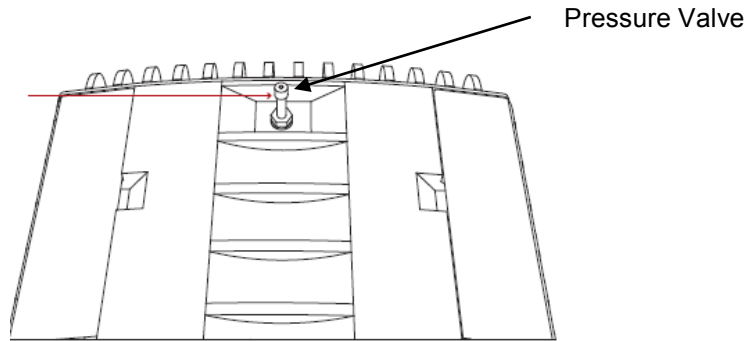
11. Closing of the Fiber Optic Splice Closure



12. Pressurization Test

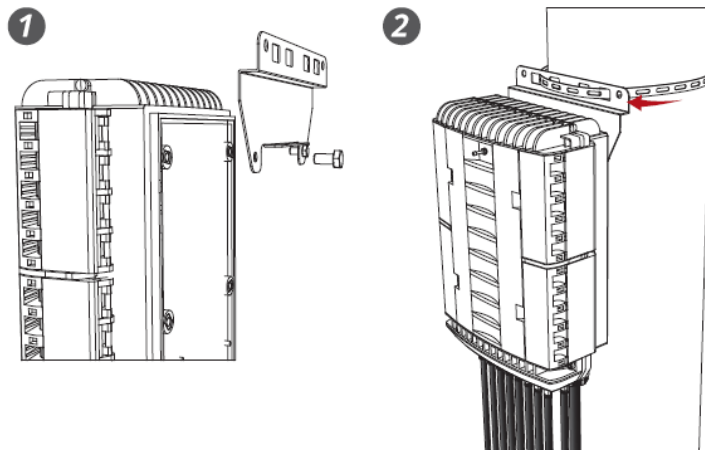
- Adjust the pressure to 40 kPa (5.8 psi) and submerge the closure in an appropriate container filled with water. In case of the appearance of air bubbles, review the mounting of the grommets, cables and the closure.
- Check pressure loss after 5 minutes

SLIMBOX UNDERGROUND TERMINAL ASSEMBLY
INSTRUCTIONS

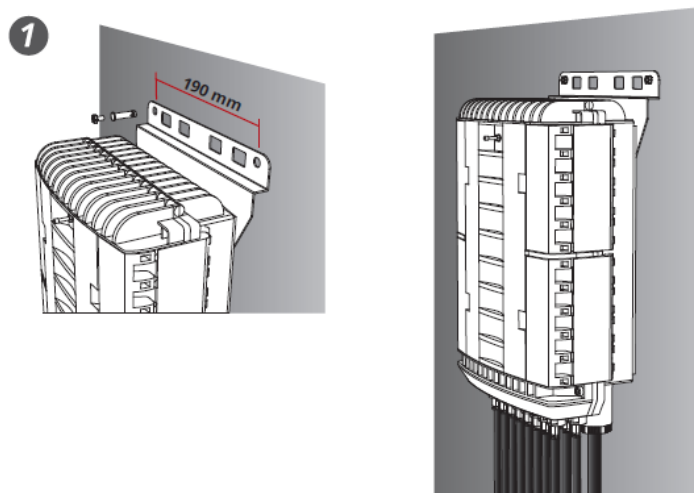


13. Closure Mounting

13.1. Pole Mounting



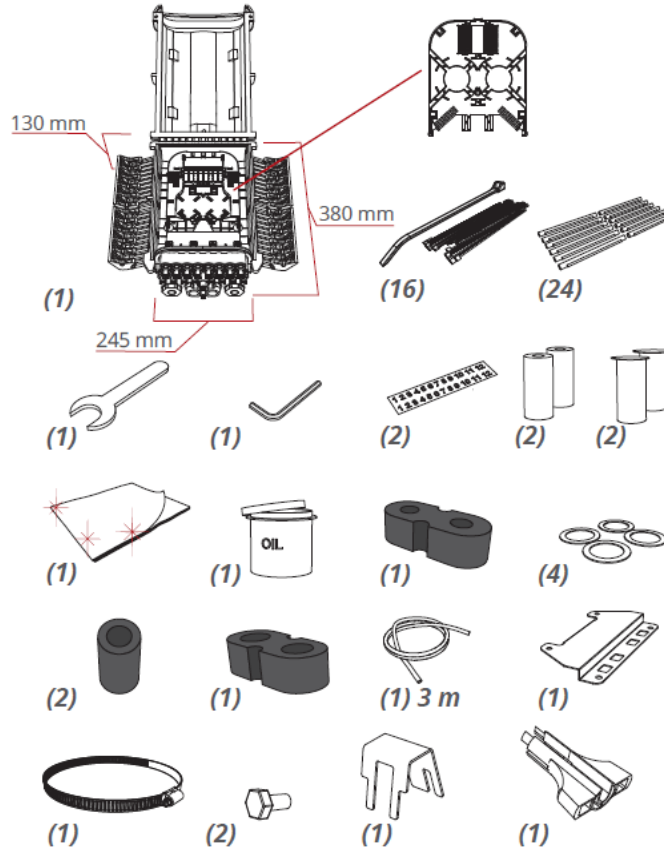
13.2. Wall Mounting



SLIMBOX UNDERGROUND TERMINAL ASSEMBLY
INSTRUCTIONS

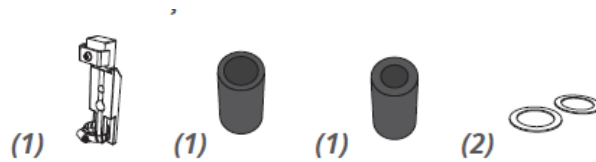
14. Components

Note: Quantities is listed between brackets ()



15. Products to be purchased separately

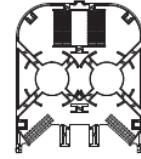
- Distribution Cable Kit



SLIMBOX UNDERGROUND TERMINAL ASSEMBLY
INSTRUCTIONS

○ Trays

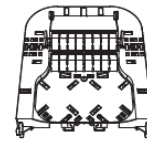
- For more than 16 splices



- The limit is 3 trays and 48 splices
- Splice tray 16F

- For Drop Cable Installation

- 1 connector tray with 8 (or 16) SC/APC adapters



16. Disposal of packaging and product

Separate and recycle the components packaging and the product at the end of its life.

Non-recyclable parts must be disposed according to local regulations

17. Technical Assistance

OFS ensures that the technical information, statements, drawings and illustrations contained in this manual are reliable. However, the information may not be sufficient to install in certain conditions OFS reserves itself the right to make improvements, enhancements or changes to the products without prior notification including technical data and other information related to this product.

For additional information, please contact your sales representative. You can also visit our website at www.ofsoptics.com or call 1-888-fiberhelp (1-888-342-3743) from inside the USA or 1-770-798-5555 from outside the USA